

niceDriveway.com

Stencil Patterns

Page 1 of 5



Nicedriveway Stencils are made of water-resistant fiberboard with a plastic coating. The Stencils are 22 mil thick, and most are available in both adhesive-backed and standard non-adhesive forms. Stencils are used in conjunction with the niceDriveway StencilCoat coating system to create brick, stone, and slate patterns on both asphalt and concrete existing surfaces.

Residential applications include...

Driveways... walkways... patios... pool decks...garage slabs

Commercial applications include...

Out door plazas... courtyards... retail walkways... building entrances...
pool decks... theme parks and vehicular entry ways...golf cart paths

Municipal applications include...

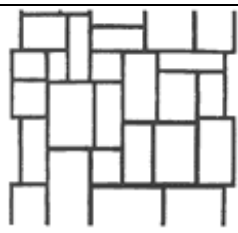
Pedestrian walks...cross walk approach...embankments and medians...

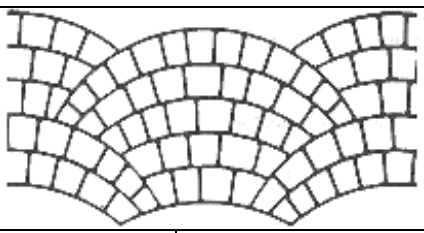
www.nicedriveway.com

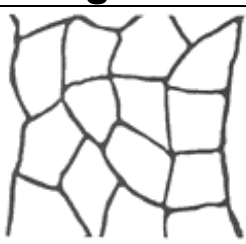
tel 888 . 434 . 8611

fax 215 . 893 . 4827

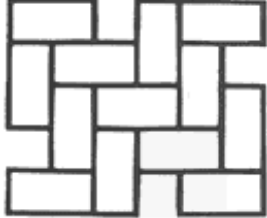
Stencil Patterns for 2002

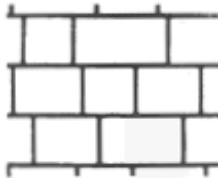
Ashlar Slate				Ashlar Slate	
<ul style="list-style-type: none"> • Random squares and rectangles ranging in size from 2 ¾" x 4 ¾" to 11" x 12" • Mortar joints range from ½" to 1" wide 					
Stencil Type	Item Code	Size	Sq Feet	Weight	Box Dimensions
Standard	ST AS	36" x 335'	1,000	16 lbs	40" x 14" x 14"
Adhesive	AD AS	36" x 167'	500	20 lbs	40" x 12" x 12"
Mini Roll	MR AS	36" x 34'	100	7 lbs	40" x 8" x 8"


Fish Scale				Fish Scale	
<ul style="list-style-type: none"> • Random size bricks arranged in a fan pattern with ½" mortar joints 					
Stencil Type	Item Code	Size	Sq Feet	Weight	Box Dimensions
Standard	ST FSH	29" x 415'	1,000	24 lbs	40" x 12" x 12"
Adhesive	AD FSH	29" x 167'	406	17 lbs	40" x 12" x 12"
Mini Roll	MR FSH	29" x 42'	100	7 lbs	40" x 8" x 8"

Flagstone				Flagstone	
<ul style="list-style-type: none"> • Irregular shaped stones ranging in size from 8" x 15" to 7" x 9" • Mortar joints range from ½" to 1" wide 					
Stencil Type	Item Code	Size	Sq Feet	Weight	Box Dimensions
Standard	ST FLG	33" x 365'	1,000	18 lbs	40" x 12" x 12"
Adhesive	AD FLG	33" x 167'	462	17 lbs	40" x 12" x 12"
Mini Roll	MR FLG	33" x 37'	100	7 lbs	40" x 8" x 8"

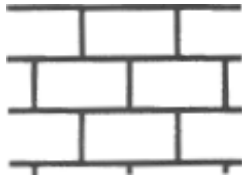
Stencil Patterns for 2002


HerringBone				HerringBone	
<ul style="list-style-type: none"> Bricks 3 5/8" x 7 3/4" with 1/2" mortar joints in a herringbone pattern 					
Stencil Type	Item Code	Size	Sq Feet	Weight	Box Dimensions
Standard	ST HB	33" x 365'	1,000	32 lbs	42" x 15" x 15"
Adhesive	AD HB	33" x 167'	462	23 lbs	42" x 12" x 12"
Mini Roll	MR HB	33" x 37'	100	7 lbs	42" x 8" x 8"


Jumbo Brick				Jumbo Brick	
<ul style="list-style-type: none"> Random size large bricks with moderately rounded corners Bricks are 5 1/2" wide and range in length from 4 1/2" to 13" 					
Stencil Type	Item Code	Size	Sq Feet	Weight	Box Dimensions
Standard	ST JB	36" x 335'	1,000	18 lbs	40" x 14" x 14"
Adhesive	AD JB	36" x 167'	500	16 lbs	40" x 12" x 12"
Mini Roll	MR JB	36" x 34'	100	7 lbs	40" x 8" x 8"

Random Stone				Random Stone	
<ul style="list-style-type: none"> Random size stones ranging in size from 5" x 5" to 5" x 10" with 1/2" mortar joints Stones have rounded corners, straight longitudinal mortar joints, and irregularly curved lateral mortar joints 					
Stencil Type	Item Code	Size	Sq Feet	Weight	Box Dimensions
Standard	ST RS	33" x 365'	1,000	20 lbs	40" x 14" x 14"
Adhesive	AD RS	33" x 167'	462	15 lbs	40" x 12" x 12"
Mini Roll	MR RS	33" x 37'	100	7 lbs	40" x 8" x 8"


Stencil Patterns for 2002


Running Bond				Running Bond	
<ul style="list-style-type: none"> Brick size 4" x 7 3/4" with 1/2" mortar joints arrange in a running bond pattern 					
Stencil Type	Item Code	Size	Sq Feet	Weight	Box Dimensions
Standard	ST RB	36" x 335'	1,000	21 lbs	40" x 14" x 14"
Adhesive	AD RB	36" x 167'	500	17 lbs	40" x 12" x 12"
Mini Roll	MR RB	36" x 34'	100	7 lbs	40" x 8" x 8"


Rustic Brick				Rustic Brick	
<ul style="list-style-type: none"> Bricks 5 1/2" X 9" with irregular / curved mortar joints arranged in running bond pattern Simulates old or used brick 					
Stencil Type	Item Code	Size	Sq Feet	Weight	Box Dimensions
Standard	ST RUS	36" x 335'	1,000	21 lbs	40" x 14" x 14"
Adhesive	AD RUS	36" x 167'	500	17 lbs	40" x 12" x 12"
Mini Roll	MR RUS	36" x 34'	100	7 lbs	40" x 8" x 8"

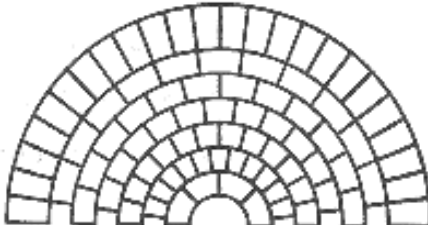
Old Chicago Brick				Old Chicago Brick	
<ul style="list-style-type: none"> Random broken bricks ranging in size from 2 1/2" x 3 3/4" to 3 3/4" x 9" Mortar joints range from 1/2" to 1 1/2" 					
Stencil Type	Item Code	Size	Sq Feet	Weight	Box Dimensions
Standard	ST OCB	37" x 365'	1,000	30 lbs	40" x 14" x 14"
Adhesive	AD OCB	37" x 167'	500	23 lbs	40" x 12" x 12"
Mini Roll	MR OCB	37" x 34'	100	8 lbs	40" x 8" x 8"

Stencil Patterns for 2002

Soldier Course				Soldier Course	
<ul style="list-style-type: none"> Bricks 3 5/8" x 7 3/4" arranged in single file for borders with 1/2" mortar joints 					
Stencil Type	Item Code	Size	Ln Feet	Weight	Box Dimensions
SC Small	ST SCS	8" x 300'	300	7 lbs	13" x 12" x 13"

Cobble Header				Cobble Header	
<ul style="list-style-type: none"> Irregular stones varying from 4" x 8" to 5" x 8" arranged in single file for borders Mortar joints range from 1/2" to 1" wide 					
Stencil Type	Item Code	Size	Ln Feet	Weight	Box Dimensions
Cobble Header	ST CH	8" x 300'	300	7 lbs	13" x 12" x 13"

Cobble Circle				Cobble Circle	
<ul style="list-style-type: none"> Cobblestone circle available in 5' 4" diameter with irregular mortar joints 					
Stencil Type	Item Code	Size	Sq Feet	Weight	Box Dimensions
Single Circle	ST CBLS	64" x 64"	30	8 lbs	40" x 8" x 8"

Large Circle				Large Circle	
<ul style="list-style-type: none"> Brick circle available in 6' 8" diameter with 1/2" mortar joints 					
Stencil Type	Item Code	Size	Sq Feet	Weight	Box Dimensions
Single Circle	ST CIRS	80" x 80"	40	8 lbs	40" x 8" x 8"